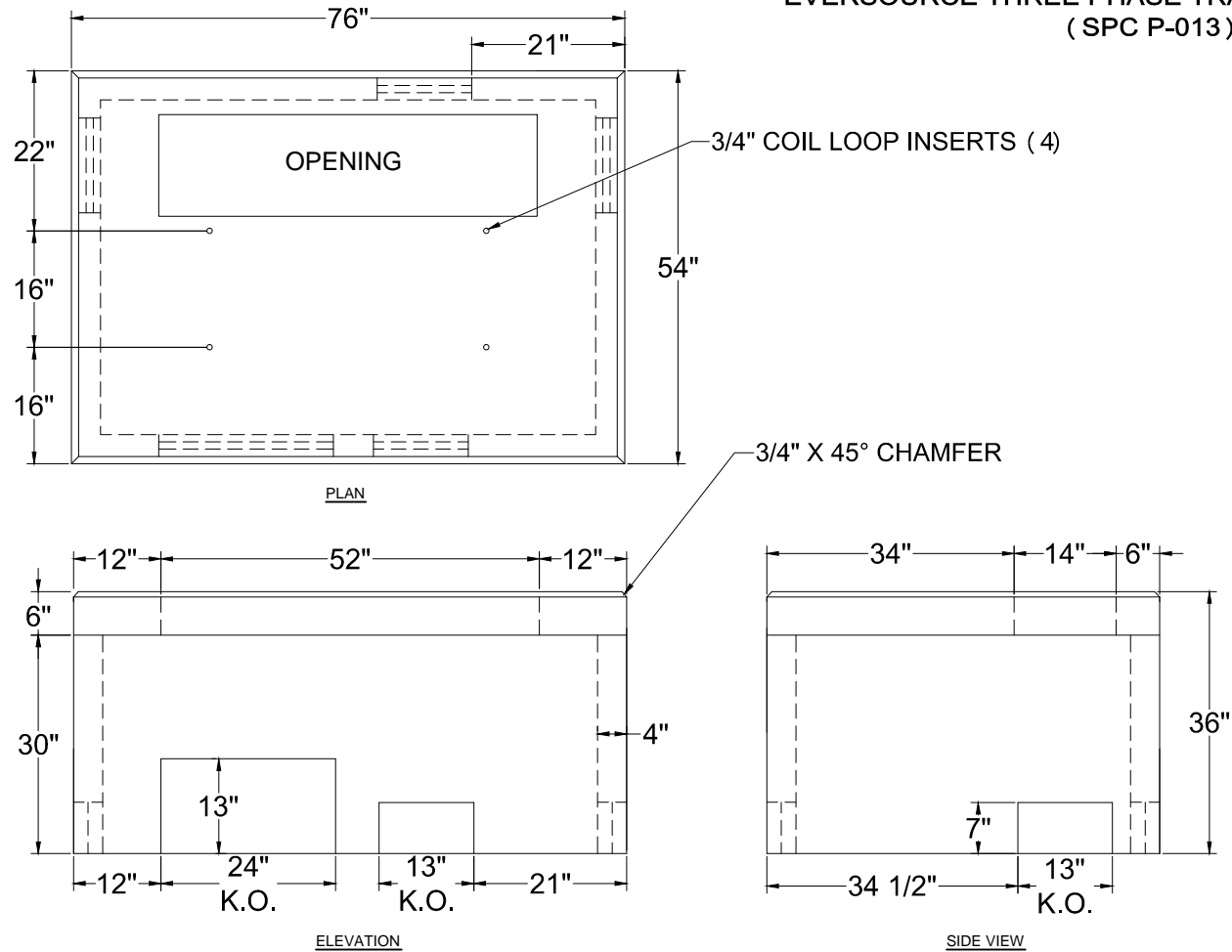


**EVERSOURCE THREE PHASE TRANSFORMER PAD/VAULT
(SPC P-013)**



SPECIFICATIONS :

- Minimum Concrete Compressive Strength - 5,000 PSI @ 28 Days.
- Steel reinforcement:
 - #3 Deformed Bar (Gr.40) ASTM A-615, or equal
 - #4 Deformed Bar (Gr.60) ASTM A-615, or equal
- Meets Latest Northeast Utilities Specifications.
- Approximate Weight: 4,400 lbs.

ENGINEERS REMARK :

| |
|--|
| |
|--|

NOTES :

| |
|--|
| |
|--|

| | |
|--|---|
| | EASTERN PRECAST COMPANY, INCORPORATED |
| | 2 COMMERCE DRIVE, BROOKFIELD, CT 06804 PHONE : (203) 775 - 0230 FAX : (203) 740 - 2059 WWW.EASTERNPRECAST.COM |

MATERIAL :

| | | | |
|------------------------|--------|------------------------|-----------|
| DOCUMENT APPROVED BY : | DATE : | DWNG DATE : 11/10/2018 | TOLERANCE |
| | | CHKD DATE : | |

MODEL NO.

| | |
|-------------------|-----|
| LOAD RATING | N/A |
| REVISION 1 - DATE | REV |
| REVISION 2 - DATE | |