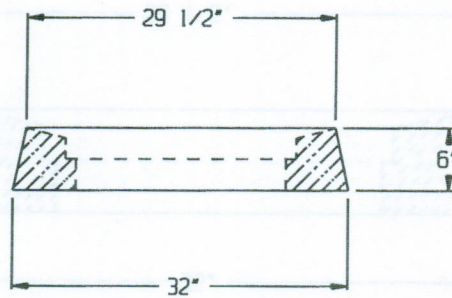
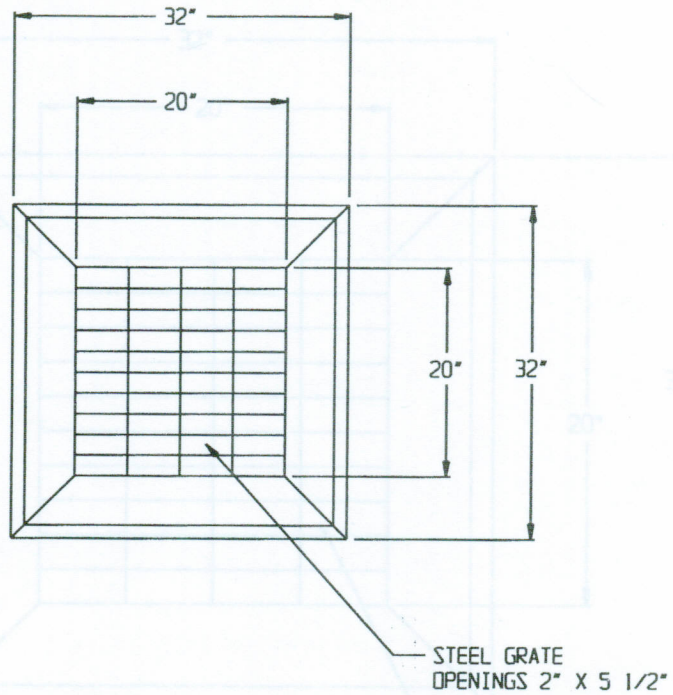


32" X 32" CL (curbless) CATCH BASIN TOP

32" X 32" CL (curbless) CATCH BASIN TOP



SPECIFICATIONS:

- * Concrete Minimum Compressive Strength-4,000 P.S.I at 28 days.
- * Steel Reinforcement:
#3 Deformed Bar (Gr.40) ASTM A-615, or equal
- * Approximate Weight: 300 lbs. Without Grate



2 COMMERCE DRIVE PO BOX 5133, BROOKFIELD, CT 06804
 PHONE: 203 775-0230 FAX: 203 740-2059 WWW.EASTERNPRECAST.COM

PROJECT			
TITLE			
DRAWN BY Brett B.		DATE 09-18-05	
SCALE	DWG. NO.	SHEET	REV.
1:1	CL3232	1 OF 1	B