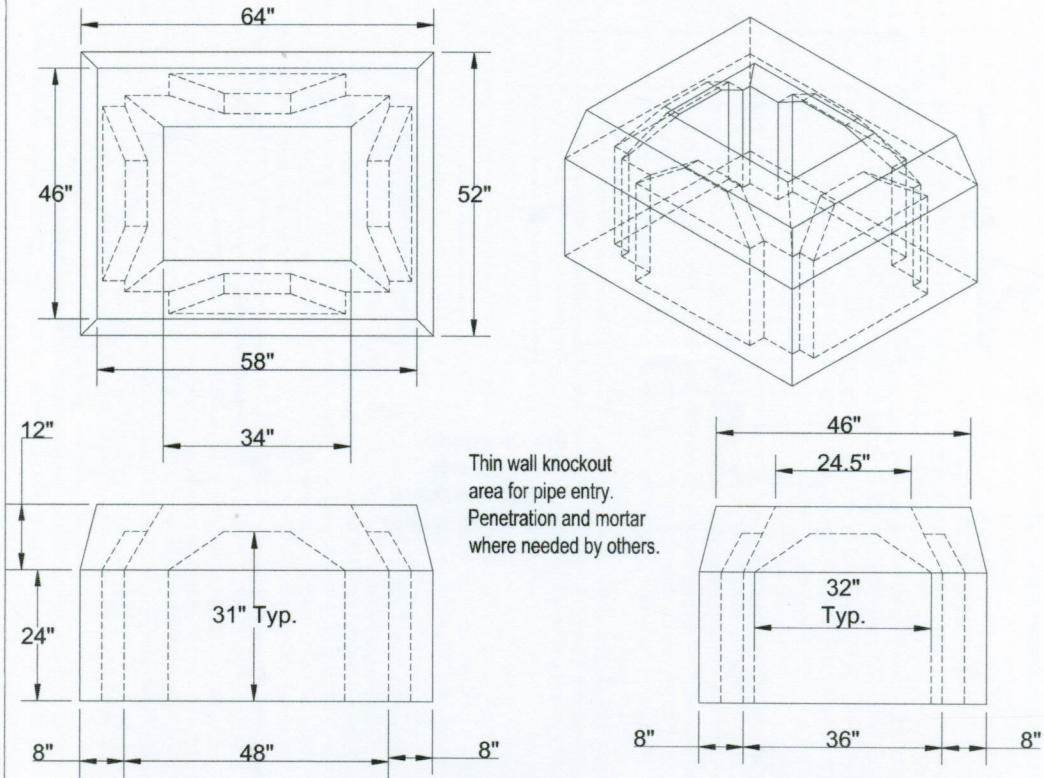


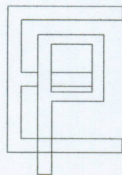
3' Standard Catch Basin Cor-Trans Riser



Specifications:

- *Concrete minimum Strength 4000 psi @ 28 days with Fibermesh
- *Steel Reinforcement: welded wire mesh 4" x 4" x w4/w4 (.12 sq in/ VF)
- #3 rebar grade 40 Over opening
- *Design load : H-20
- *Approx Weight: 3420 lbs.
- *2 Recessed utility anchors an interior for lifting.

DWG# CBCTR36



EASTERN PRECAST CO. INC.

PO. BOX 5133, 2 COMMERCE DR.
BROOKFIELD, CT 06804
Phone: (203) 775-0230, 775-9380
Fax: (203) 740-2059
WWW.easternprecast.com