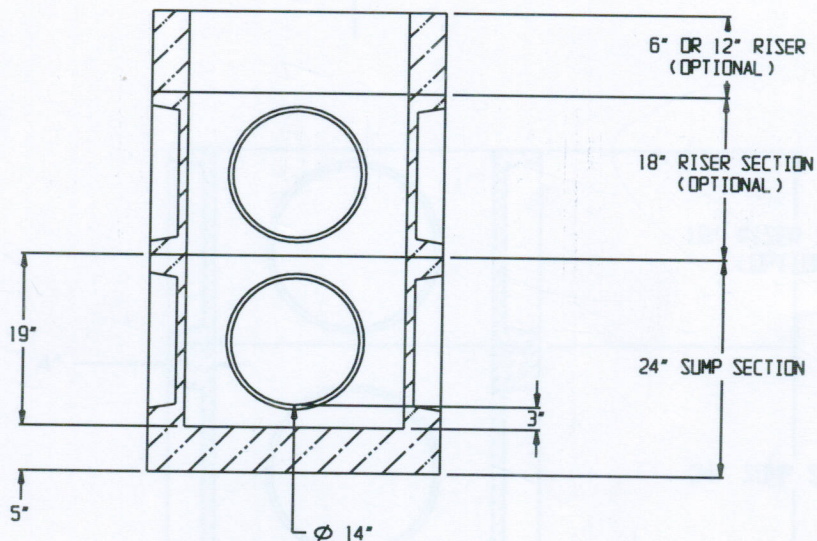
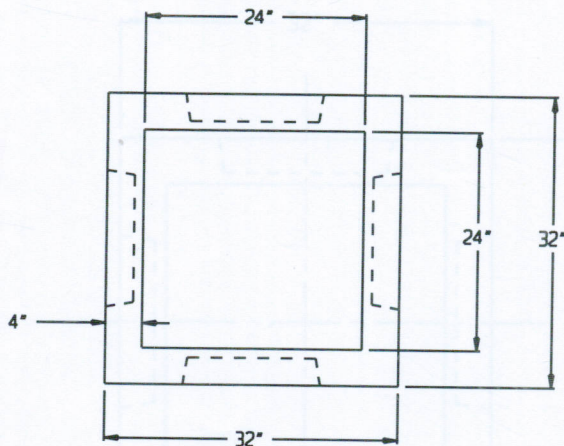


2' SUMP (32 X 32) / RISER



SPECIFICATIONS:

- * Concrete Minimum Compressive Strength-4,000 P.S.I at 28 days.
- * Steel Reinforcement:
 - Welded Wire Mesh 6"x 6"x W1.4/W1.4 ASTM A-185, or equal
- * Available Tops:
 - Cast Iron-Frame & Grate, or Frame & Cover
 - Concrete Catch Basin Top Type C or CL w/Steel Frame & Grate
 - Concrete Slab
- * Approximate Weight: Sump 900 lbs., Riser 375 lbs/vf



2 COMMERCE DRIVE PO BOX 5133, BROOKFIELD, CT 06804
 PHONE (203) 775-0230 FAX (203) 740-2059 WWW.EASTERNPRECAST.COM

| | | | |
|-------------------|--|---------------|--------|
| PROJECT | | | |
| TITLE | | | |
| DRAWN BY Brett B. | | DATE 09-18-05 | |
| DWG. NO. 2SR3232 | | SHEET 1 OF 1 | REV. E |