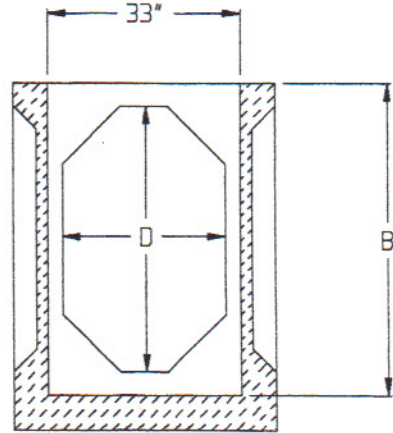
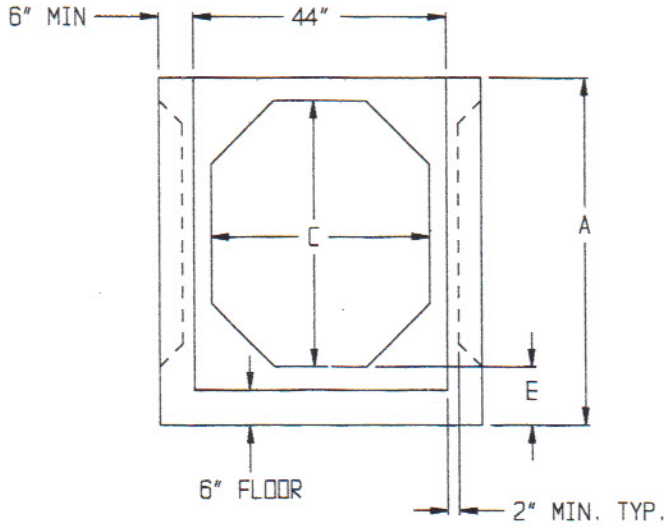
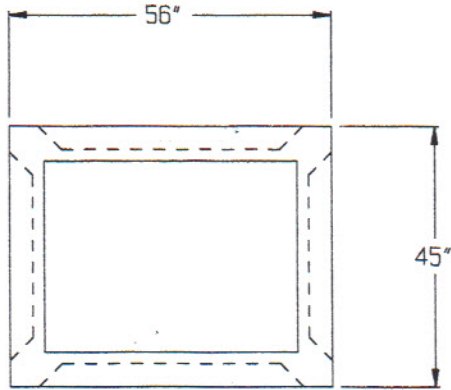


# CATCH BASIN SUMP/RISER W/KNOCKOUTS

H-20



	A	B	C	D	E
	Ø.A. Height Sump	Inside Depth Or Riser Height	Knockout W x H	Knockout W x H	
3' SUMP/30" RISER	36"	30"	24" x 24"	24" x 24"	6"
42" SUMP/36" RISER	42"	36"	30" x 30"	30" x 30"	8"
4' SUMP/42" RISER	48"	42"	30" x 30"	30" x 30"	11"
5' SUMP/54" RISER	60"	54"	38" x 46"	28" x 46"	6"

**SPECIFICATIONS:**

- \* Concrete Minimum Strength-4,000 P.S.I at 28 days with Fibermesh.
- \* Steel Reinforcement: 6" x 6" 10 Gauge Wire Mesh.
- \* Available Without 6" Floor To Make Riser Section.
- \* **Meets H-20 Wheel Load**

DWG # SR4556



**EASTERN PRECAST CO. INC.**  
 P.O. Box 5133 2 Commerce Dr., Brookfield, CT 06804  
 Phone (203) 775-0230 775-9380 Fax (203) 740-2059