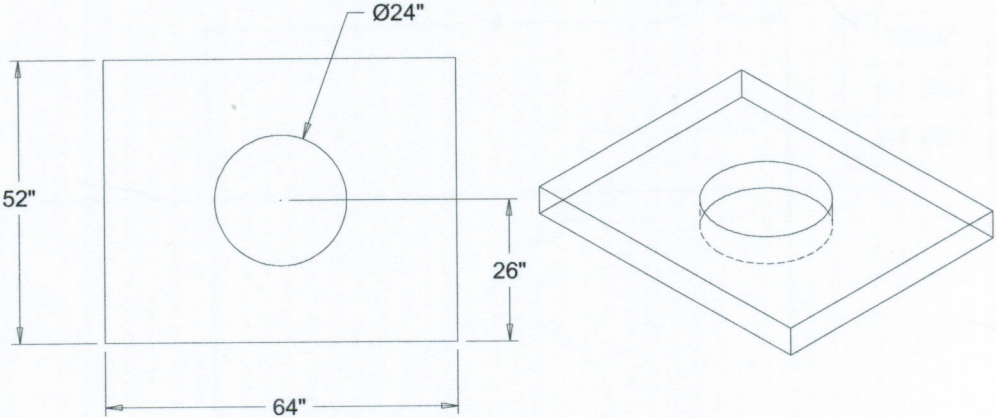
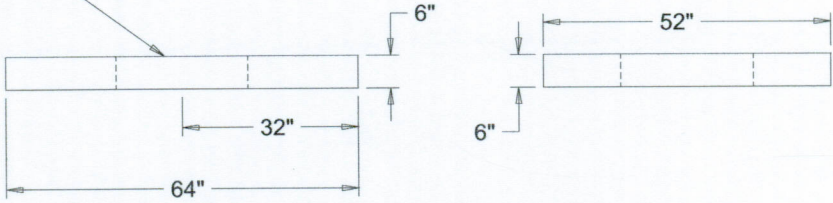


# Standard Catch Basin Slab / Top Slab



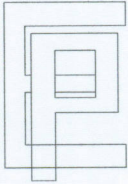
Available solid  
or with manway  
opening.



**Specifications.**

- \*Concrete minimum strength: 4000 psi @ 28 days with fibermesh
- \*Steel Reinforcement: Welded wire mesh 4" x 4" w4/w4 (.12 sq. in/ VF)
- #4 Rebar Grade 60
- \*Design load: H-20
- \*Approx. weight: 1550 lbs.

DWG # SBS6452



**EASTERN PRECAST CO. INC.**

PO. BOX 5133, 2 COMMERCE DR.  
 BROOKFIELD CT 06804  
 Phone: (203) 775-0230, 775-9380  
 Fax: (203) 740-2059  
 WWW.easternprecast.com