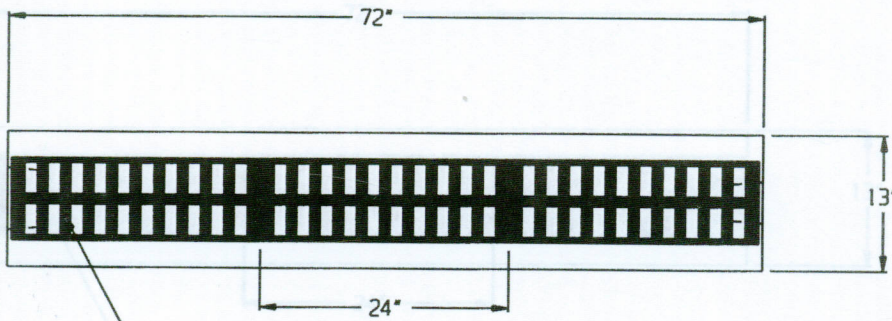
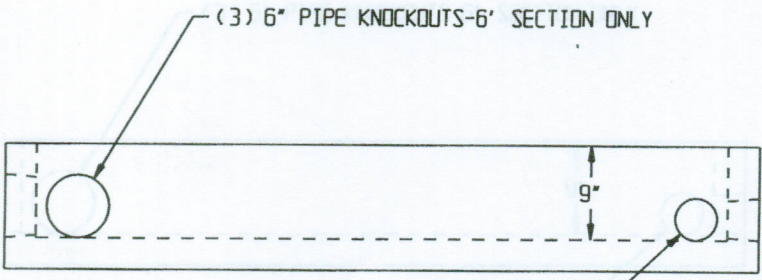


RESIDENTIAL TRENCH DRAIN H.D. W/CAST IRON GRATES

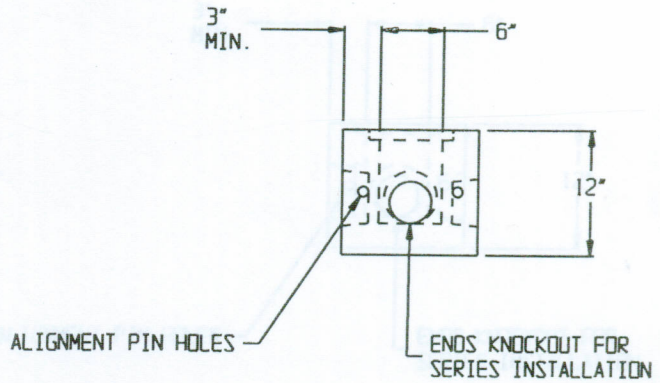
AASHTO HS-20



REMOVABLE CAST IRON GRATE (3 SECTIONS)
GRATE OPENINGS - 1 1/4" X 3"



(3) 4" PIPE KNOCKOUTS-6' SECTION ONLY



SPECIFICATIONS:

- * Concrete Minimum Compressive Strength-4,000 P.S.I at 28 days.
- * Steel Reinforcement:
#3 Deformed Bar (Gr. 40) ASTM A-615, or equal
- * 4" Pipe Seals: Tuf-Tite TS-4Pro, or equal.
- * Approximate Weight: 6' Section 560 lbs.



2 COMMERCE DRIVE PO BOX 5133, BROOKFIELD, CT 06804
PHONE (203) 775-0230 FAX (203) 740-2059 WWW.EASTERNPRECAST.COM

PROJECT			
TITLE			
DRAWN BY Brett B.		DATE 11-14-05	
SCALE	DWG. NO.	SHEET	REV.
	RTDCI	1 OF 1	B