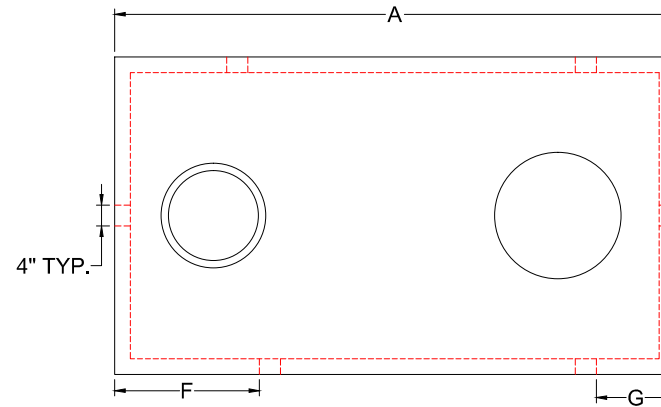
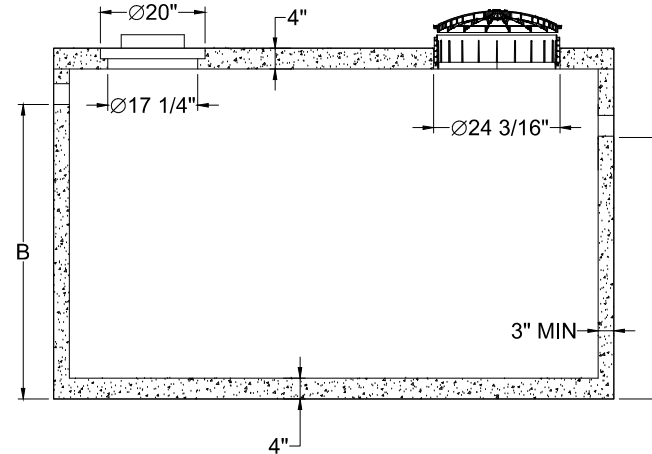
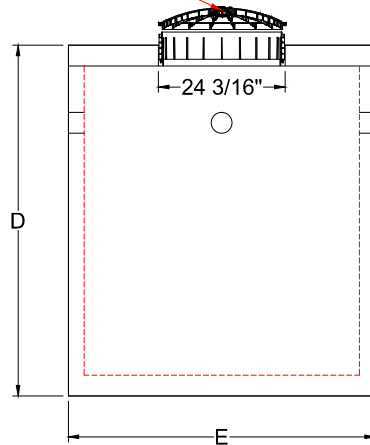


SPECIFICATIONS:

- Concrete Minimum Strength - 4,000 PSI @ 28 days W / Fibernesh.
- Steel Reinforcement # 3 Rebar Grade 40.
- Construction Joint Sealed With Butyl Sealant.
- Construction Joint On 1250 Is At Mid-Depth.
- Meets A-3 External Loading (300 PSF) Applied Uniformly Over Top, Bottom, And Walls, It Is The User's Responsibility To Install So That This Loading Criteria Is Not Comprinised, Considering Soil Type, Ground Water Elevations, Backfill Requirements, and Applicable Live Loads.
- Available With Complete Pump Package.



24" DIA TUF-TITE
PLASTIC RISER & LID
EXTENSIONS AVAILABLE



500 = 15.1 Gal/Inch
1000 = 20.4 Gal/Inch
1250 = 25.5 Gal/Inch

	A	B	C	D	E	F	G	
Capacity	O.A. Lgth	Inl Hgt.	Outl Hgt.	O.A. Hgt.	O.A. Width.			Max. Backfill Cover
500 Gallon	90"	42.5"	39.5"	55"	49.5"	10"	8"	36" (soil not to exceed 100 lbs/cu. Ft.)
1000 Gallon	102"	53"	50"	63"	58"	21"	9"	36" (soil not to exceed 100 lbs/cu. Ft.)
1250 Gallon	120"	55"	52"	65"	60"	6"	N/A	36" (soil not to exceed 100 lbs/cu. Ft.)

NOTES :

EASTERN PRECAST
COMPANY, INCORPORATED
2 COMMERCE DRIVE, BROOKFIELD, CT 06804
PHONE : (203) 775 - 0230 FAX : (203) 740 - 2059
WWW.EASTERNPRECAST.COM

REGULAR DUTY PUMP CHAMBER

MATERIAL :	MODEL NO.	PCREG500_1250	
DOCUMENT APPROVED BY :	LOAD RATING	H-10	
DATE :	REVISION 1 - DATE		REV
DWNG DATE : 03/05/2018	REVISION 2 - DATE		
CHKD DATE :			

PROPRIETARY NOTE : THE INFORMATION CONTAINED IN THIS DRAWING IS THE SOLE PROPERTY OF **EASTERN PRECAST** PLEASE CONTACT **EASTERN PRECAST** FOR REPRODUCTION AND MANUFACTURING.