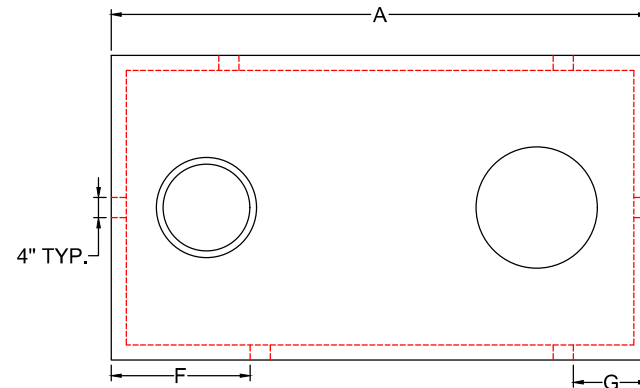
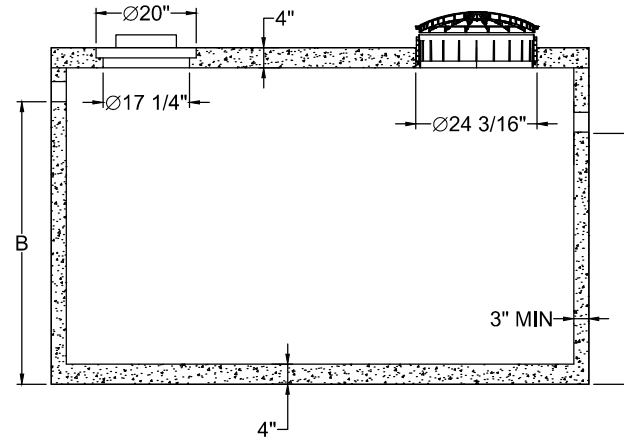
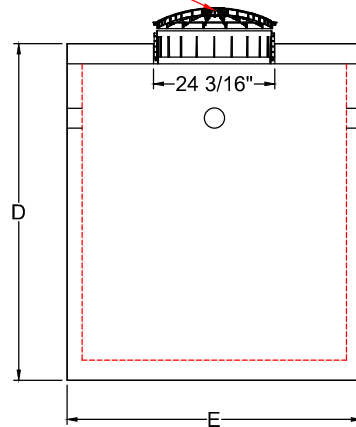


SPECIFICATIONS:


- Concrete Minimum Strength - 4,000 PSI @ 28 days W / Fibernesh.
- Steel Reinforcement -# 3 Rebar Grade 40.
- Construction Joint Sealed With Butyl Sealant.
- Construction Joint On 1250 Is At Mid-Depth.
- Meets A-3 External Loading (300 PSF) Applied Uniformly Over Top, Bottom, And Walls, It Is The User's Responsibility To Install So That This Loading Criteria Is Not Comprised, Considering Soil Type, Ground Water Elevations, Backfill Requirements, and Applicable Live Loads.
- Available With Complete Pump Package.



24" DIA TUF-TITE
PLASTIC RISER & LID
EXTENSIONS AVAILABLE



500 = 15.1 Gal/Inch
1000 = 20.4 Gal/Inch
1250 = 25.5 Gal/Inch

	A	B	C	D	E	F	G		NOTES :	 EASTERN PRECAST <small>COMPANY, INCORPORATED</small> 2 COMMERCE DRIVE, BROOKFIELD, CT 06804 PHONE : (203) 775 - 0230 FAX : (203) 740 - 2059 WWW.EASTERNPRECAST.COM	
Capacity	O.A. Lgth	Inl Hgt.	Outl Hgt.	O.A. Hgt.	O.A. Width.			Max. Backfill Cover			REGULAR DUTY PUMP CHAMBER
500 Gallon	90"	42.5"	39.5"	55"	49.5"	10"	8"	36" (soil not to exceed 100 lbs/cu. Ft.)	MATERIAL :	MODEL NO. PCREG500_1250	
1000 Gallon	102"	53"	50"	63"	58"	21"	9"	36" (soil not to exceed 100 lbs/cu. Ft.)	DOCUMENT APPROVED BY :	LOAD RATING NON-TRAFFIC	
1250 Gallon	120"	55"	52"	65"	60"	6"	N/A	36" (soil not to exceed 100 lbs/cu. Ft.)	DATE :	REVISION 1 - DATE	REV
									DWNG DATE : 03/05/2018	REVISION 2 - DATE	
									CHKD DATE :		

PROPRIETARY NOTE : THE INFORMATION CONTAINED IN THIS DRAWING IS THE SOLE PROPERTY OF EASTERN PRECAST PLEASE CONTACT EASTERN PRECAST FOR REPRODUCTION AND MANUFACTURING.