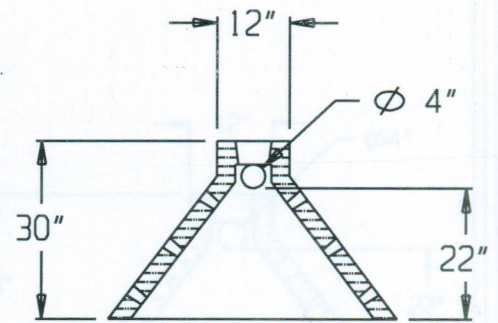
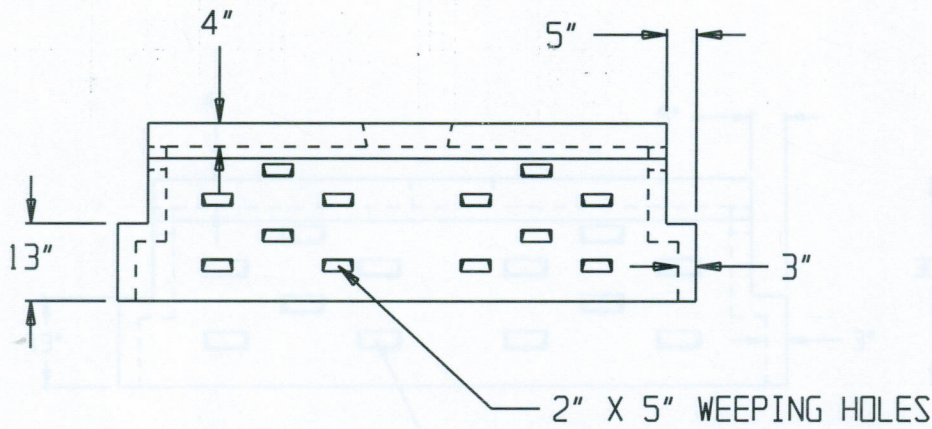
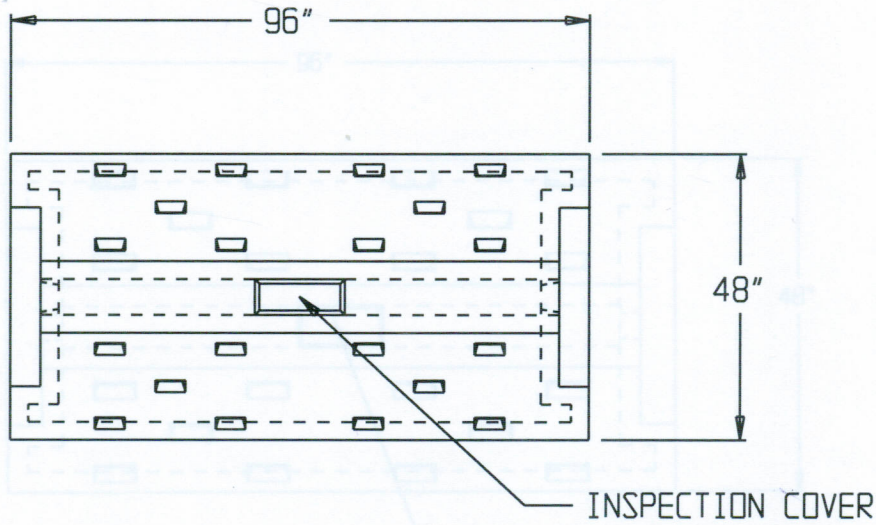


30" TP LEACHING GALLERIE



SPECIFICATIONS:

- * Concrete Minimum Compressive Strength-4,000 P.S.I at 28 days.
- * Steel Reinforcement:
 - Reg. Duty & H-20: #3 Deformed Bar (Gr.40) ASTM A-615, or equal
 - H-20: #4 Deformed Bar (Gr.60) ASTM A-615, or equal
- * Effective Leaching Area: 7.4 sf/lf
- * Approximate Capacity without stone: 210 gals
- * Approximate Weight: 1,950 lbs.



2 COMMERCE DRIVE PO BOX 5133, BROOKFIELD, CT 06804
 PHONE (203) 775-0230 FAX (203) 740-2059 WWW.EASTERNPRECAST.COM

PROJECT			
TITLE			
DRAWN BY Brett B.		DATE 09-21-05	
SCALE 1:1	DWG. NO. LG30TP	SHEET 1 OF 1	REV. C