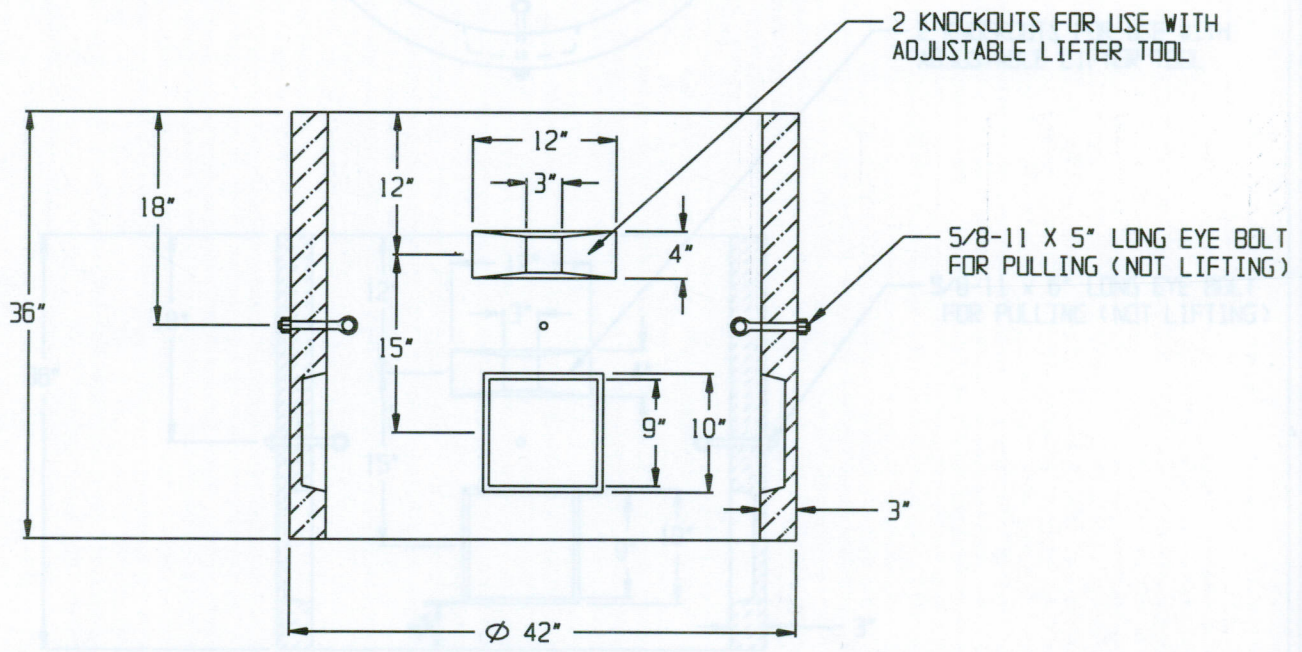
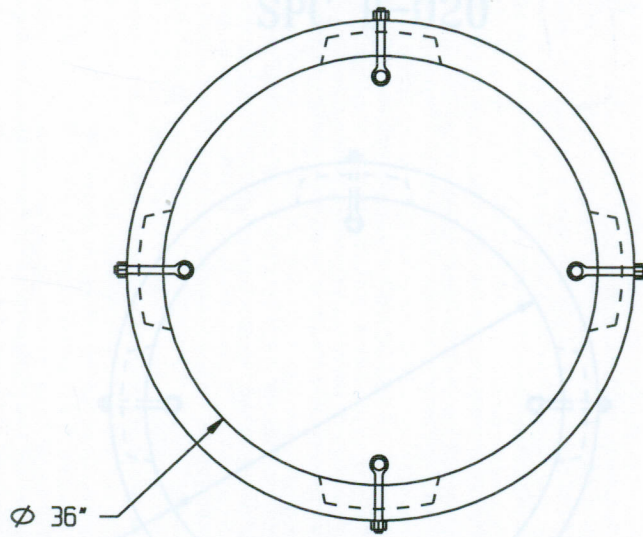


CL&P SINGLE PHASE HANDHOLE

SPC H-020



SPECIFICATIONS:

- * Concrete Minimum Compressive Strength-5,000 P.S.I at 28 days.
- * Steel Reinforcement:
 Welded Wire Mesh 6"x 6"x W1.4/W1.4 ASTM A-185, or equal
 #3 Deformed Bar (Gr.40) ASTM A-615, or equal
- * Meets Latest Northeast Utilities Specifications.
- * Approximate Weight: 1,160 lbs.



2 COMMERCE DRIVE PO BOX 5133, BROOKFIELD, CT 06804
 PHONE: 203 775-0230 FAX: 203 740-2059 WWW.EASTERNPRECAST.COM

PROJECT			
TITLE			
DRAWN BY Brett B.		DATE 09-19-05	
SCALE 2:1	DWG. NO. H020	SHEET 1 OF 1	REV. C