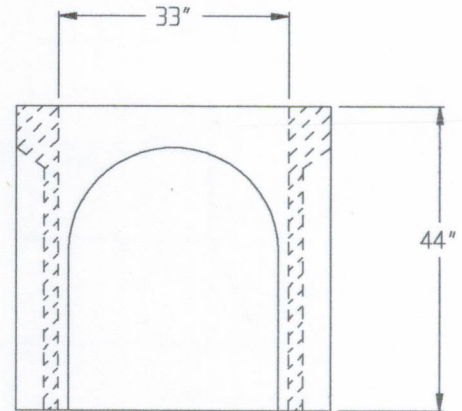
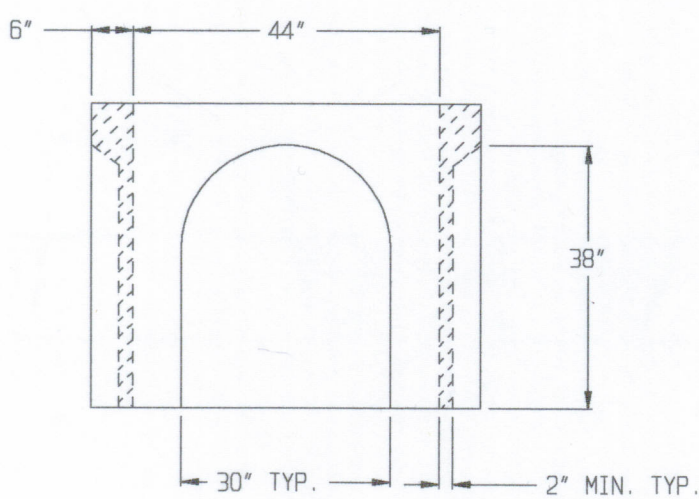
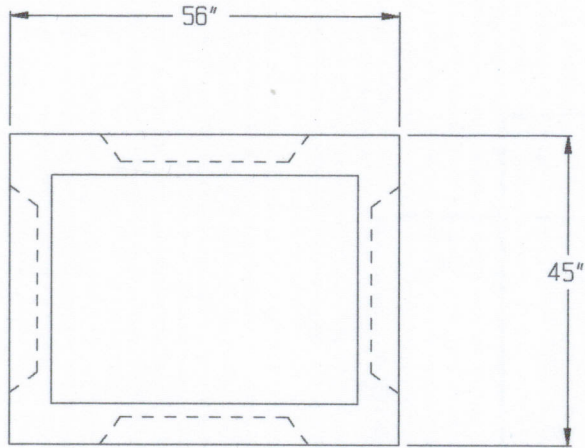
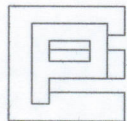


44" DOGHOUSE CATCH BASIN RISER



SPECIFICATIONS:

- * Concrete Minimum Strength-4,000 P.S.I at 28 days with Fibermesh.
- * Steel Reinforcement: 6" x 6" 10 Gauge Wire Mesh.



EASTERN PRECAST CO. INC.

P.O. Box 5133 2 Commerce Dr., Brookfield, CT 06804
Phone (203) 775-0230 775-9380 Fax (203) 740-2059

DWG # DHR