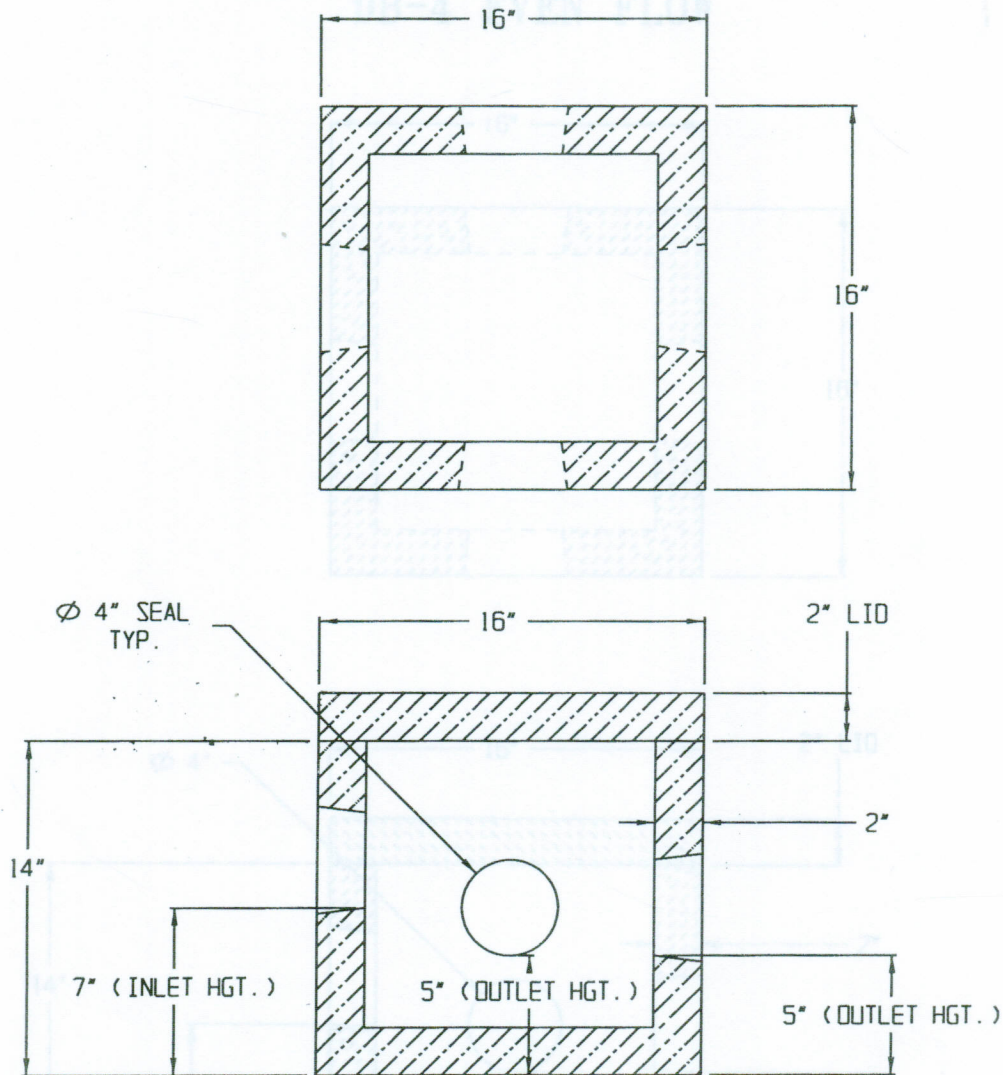


# DB-4 EVEN FLOW



## SPECIFICATIONS:

- \* Concrete Minimum Compressive Strength-4,000 P.S.I at 28 days.
- \* Steel Reinforcement:  
Welded Wire Mesh 6"x 6"x W1.4/W1.4 ASTM A-185, or equal (Lid)
- \* Fibre Mesh Reinforcement ASTM C-1116: Euclid Tuf-Strand, or equal @ a Rate of 3.33 lbs/cy. (Box)
- \* 4" Pipe Seal: Tuf-Tite TS-4Pro, or Equal.
- \* Available With Cast Iron or Steel Grate for Yard Drain.
- \* Approximate Weight: Box 135 lbs., Lid 40 lbs.



2 COMMERCE DRIVE PO BOX 5133, BROOKFIELD, CT 06804  
 PHONE (203) 775-0230 FAX (203) 740-2059 WWW.EASTERNPRECAST.COM

PROJECT			
TITLE			
DRAWN BY BRETT B.		DATE 05-23-05	
SCALE	DWG. NO.	SHEET	REV.
	DB4E	1 OF 1	C