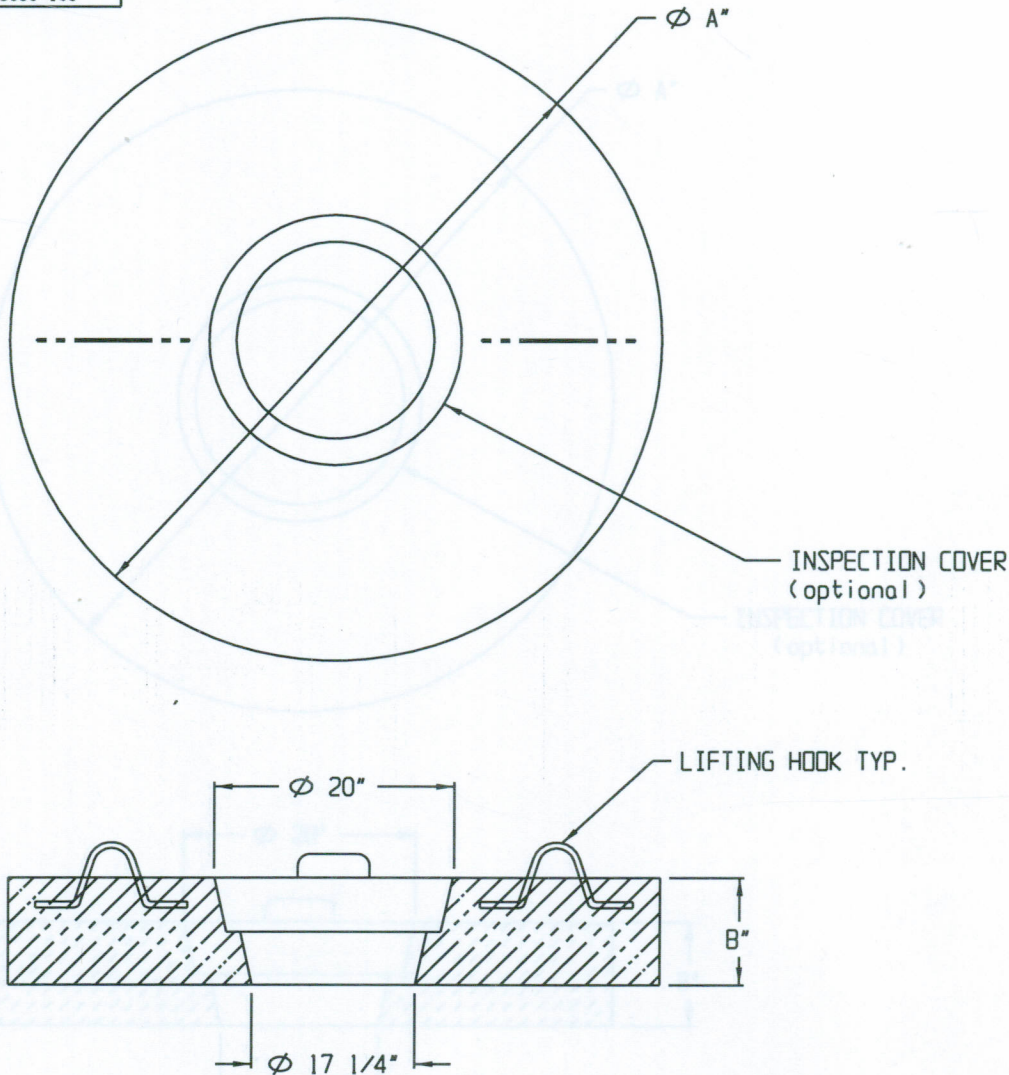


A	B	
Diameter	Thickness	Weight
42"	4"	450 lbs
48"	4"	580 lbs
58"	4"	800 lbs
65"	4"	1070 lbs
78" H-20	8"	3050 lbs

# ROUND COVERS DRYWELL



## SPECIFICATIONS:

\* Concrete Minimum Compressive Strength-4,000 P.S.I at 28 days.

\* Steel Reinforcement:

42" - 65": Welded Wire Mesh 6" x 6" x W1.4/W1.4 ASTM A-185, or equal  
: #3 Deformed Bar (Gr.40) ASTM A-615, or equal

78": Welded Wire Mesh 4" x 4" x W4/W4 ASTM A-185, or equal  
: #4 Deformed Bar (Gr.60) ASTM A-615, or equal

\* Available Solid or With Inspection Cover.



2 COMMERCE DRIVE PO BOX 5133, BROOKFIELD, CT 06804  
PHONE (203) 775-0230 FAX (203) 740-2059 WWW.EASTERNPRECAST.COM

PROJECT

TITLE

DRAWN BY BRETT B.

DATE 05-23-05

SCALE

REFERENCE CHART

DWG. NO.

CVR42-65

SHEET

1 OF 1

REV.

C