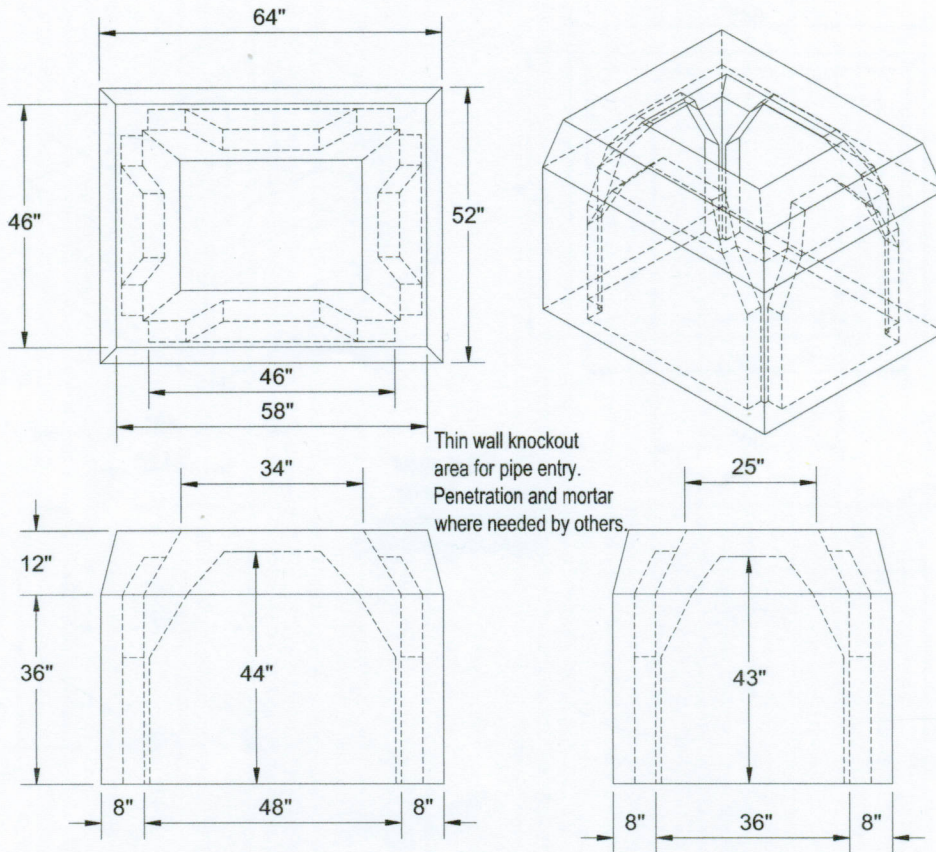


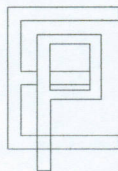
# 4' Standard Catch Basin Cor-Trans Riser



**Specifications:**

- \*Concrete minimum Strength 4000 psi @ 28 days with Fibermesh
- \*Steel Reinforcement: welded wire mesh 4" x 4" x w4/w4 (.12 sq. in. /VF)
- #3 Rebar Grade 40 over openings
- \*Design Load: H-20
- \*Approx Weight: 3900 lbs.
- \*2 Recessed utility anchors on interior for lifting

DWG # CBCTR48



## EASTERN PRECAST CO. INC.

PO. BOX 5133, 2 COMMERCE DR.  
 BROOKFIELD CT 06804  
 Phone: (203) 775-0230, 775-9380  
 Fax: (203) 740-2059  
 WWW.easternprecast.com