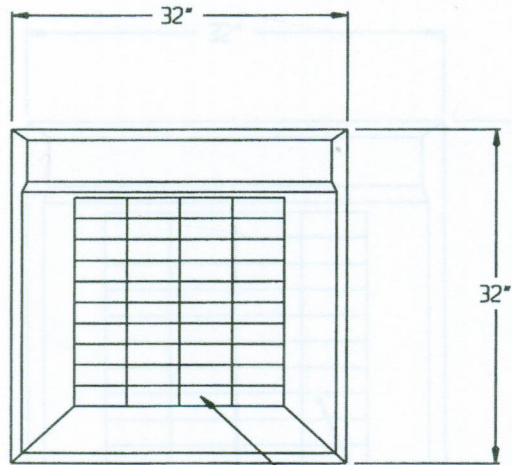
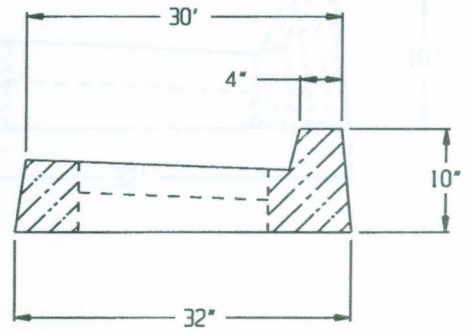
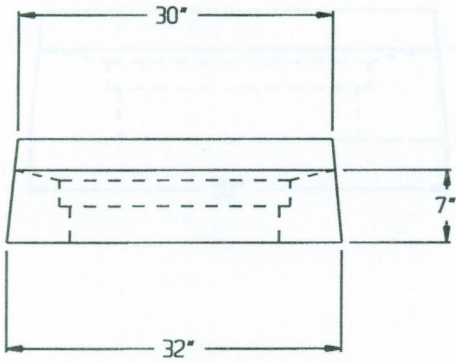


32" X 32" C (curb) CATCH BASIN TOP

32" X 32" C (curb) CATCH BASIN TOP



STEEL GRATE
OPENINGS 2" X 5 1/2"



SPECIFICATIONS:

- * Concrete Minimum Compressive Strength-4,000 P.S.I at 28 days.
- * Steel Reinforcement:
#3 Deformed Bar (Gr.40)ASTM A-615, or equal
- * Approximate Weight: 340 lbs. Without Grate



2 COMMERCE DRIVE PO BOX 5133, BROOKFIELD, CT 06804
PHONE (203) 775-0230 FAX (203) 740-2059 WWW.EASTERNPRECAST.COM

PROJECT EASTERN PRECAST CO., INC.			
TITLE			
DRAWN BY Brett B.		DATE 09-18-05	
SCALE	ENG. NO.	SHEET	REV.
	C3232	1 OF 1	C